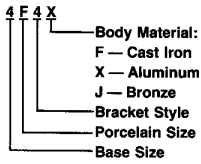


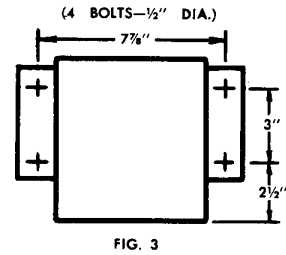
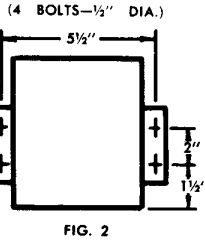
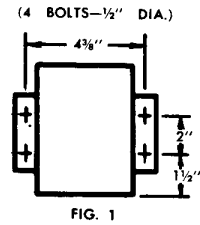
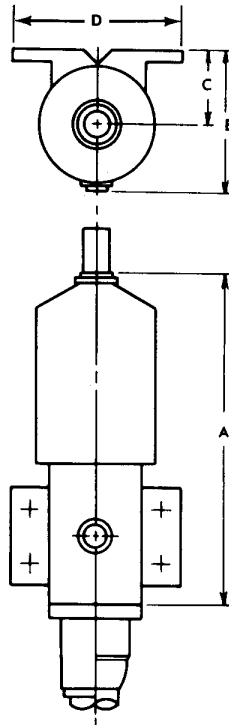
1/2" Bracket Mounted

Body Identification	
Symbol Number	Part Number
3E4F	B2021-4F
4F4X	B2020X
4F4J	B2020J
5G4X	B2017X
5G4J	B2017J
4H4J	B2026J

Body Code Numbering



RS Entrance



Catalog numbers are for copper, single conductor cable and include unassembled units with cemented porcelain and base gasket only. Required connector, entrance(s), aerial lugs, compound or stress cone kits are ordered separately. Optional connector styles, entrance fittings and ground lugs are available.

Aluminum conductor cables require compression style connectors.

Note: For aluminum cable over 250 kcmil, use the next larger size termination for correct internal clearances.

Max. Cond. Size AWG KCM	Max. Cable OD ins. (mm)	Catalog No. Outdoor	Approx. Compd. Req'd Gal. (L)	Approx. Sngp. Wt. lbs. (Kg)	Hoodnut Connector Assembly	Approximate Dimensions — ins. (mm)				Body Porcelain Assembly*				Body†
						A	B	C	D	Fig.	Assembly No.	Porcelain	Assembly No.	

15 kV (110 kV BIL)

1/0	53	1 7/8 (48)	UT17031	3/8 (1)	24 (11)	AT20	13 1/2 (343)	5 1/4 (133)	2 5/8 (67)	5 1/2 (140)	1	A6300-26	EE	A6300-25	EF	3E4F
250	127	1 7/8 (48)	UT17231	3/8 (1)	25 (11)	AT22	13 5/8 (346)	5 1/4 (133)	2 5/8 (67)	5 1/2 (140)	1	A6300-26	EE	A6300-25	EF	3E4F
500	253	2 7/8 (73)	UT17541	5/8 (2)	27 (12)	AT35	13 1/4 (337)	7 1/4 (184)	3 3/4 (95)	6 3/4 (171)	2	A6300-19	FD	A6300-18	FE	4F4X
750	380	2 7/8 (73)	T17741	5/8 (2)	29 (13)	AT37	13 3/8 (340)	7 1/4 (184)	3 3/4 (95)	6 3/4 (171)	2	A6300-19	FD	A6300-18	FE	4F4X
1000	507	2 7/8 (73)	T17841	5/8 (2)	34 (15)	AT38	13 3/8 (340)	7 1/4 (184)	3 3/4 (95)	6 3/4 (171)	2	A6300-19	FD	A6300-18	FE	4F4X
1500	760	3 7/8 (98)	T17951	1 (4)	46 (20)	AT49	15 3/8 (391)	7 5/8 (194)	3 3/4 (95)	6 3/4 (171)	2	A6300-9	GA	A6300-8	GB	5G4X
2000	1013	3 7/8 (98)	T17X51	1 (4)	51 (23)	AT4X	15 3/8 (391)	7 5/8 (194)	3 3/4 (95)	6 3/4 (171)	2	A6300-9	GA	A6300-8	GB	5G4X

25 kV (150 kV BIL)

1/0	53	1 7/8 (48)	UT18031	1/2 (2)	28 (13)	AT20	16 1/8 (410)	5 1/4 (133)	2 5/8 (67)	5 1/2 (140)	1	A6300-28	EK	A6300-27	EL	3E4F
250	127	2 7/8 (73)	UT18241	5/8 (2)	31 (14)	AT32	16 1/4 (413)	7 1/4 (184)	3 3/4 (95)	6 3/4 (171)	2	A6300-21	FF	A6300-20	FG	4F4X
500	253	2 7/8 (73)	AT18541	5/8 (2)	31 (14)	AT35	16 1/4 (413)	7 1/4 (184)	3 3/4 (95)	6 3/4 (171)	2	A6300-21	FF	A6300-20	FG	4F4X
750	380	2 7/8 (73)	T18741	5/8 (2)	45 (20)	AT37	16 3/8 (416)	7 1/4 (184)	3 3/4 (95)	6 3/4 (171)	2	A6300-23	FF	A6300-22	FG	4F4J
1000	507	2 7/8 (73)	T18841	5/8 (2)	50 (23)	AT38	16 3/8 (416)	7 1/4 (184)	3 3/4 (95)	6 3/4 (171)	2	A6300-23	FF	A6300-22	FG	4F4J
1500	760	3 7/8 (98)	T18951	1 (4)	64 (29)	AT49	17 3/8 (441)	7 5/8 (194)	3 3/4 (95)	6 3/4 (171)	2	A6300-11	GC	A6300-10	GD	5G4J
2000	1013	3 7/8 (98)	T18X51	1 (4)	69 (31)	AT4X	17 3/8 (441)	7 5/8 (194)	3 3/4 (95)	6 3/4 (171)	2	A6300-11	GC	A6300-10	GD	5G4J

34.5 kV (200 kV BIL)

250	127	2 7/8 (73)	T19241	3/4 (3)	51 (23)	AT32	21 1/4 (540)	7 1/4 (184)	3 3/4 (95)	6 3/4 (171)	2	A6300-24	FM	A6300-24	FM	4F4J
500	253	2 7/8 (73)	UT19541	3/4 (3)	52 (24)	AT35	21 1/4 (540)	7 1/4 (184)	3 3/4 (95)	6 3/4 (171)	2	A6300-24	FM	A6300-24	FM	4F4J
500	253	2 7/8 (73)	XT19541	1 1/2 (6)	73 (33)	AT45	22 1/8 (562)	7 7/8 (200)	4 (102)	6 3/4 (171)	3	A6300-33	HA	-	-	4H4J

46 kV (250 kV BIL)—Requires oil filling

250	127	2 7/8 (73)	T10241	1 3/4 (7)	75 (34)	AT32	28 3/8 (721)	7 7/8 (200)	4 (102)	9 (229)	3	A6300-72	HB	-	-	4H4J
500	253	2 7/8 (73)	T10541	1 3/4 (7)	78 (35)	AT45	29 3/16 (741)	7 7/8 (200)	4 (102)	9 (229)	3	A6300-80	HG	-	-	4H4J

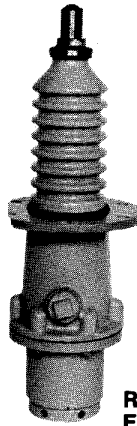
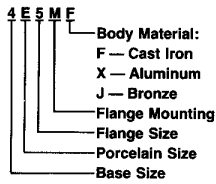
* For porcelain dimensions refer to page 20.

† Base size required for selection of cable entrance fittings. Refer to body ID chart on this page. Body material subject to availability.

1/2" Flange Mounted

Body Identification	
Symbol Number	Part Number
4E5MF	B2011F
4F6MX	B2012X
5G6MX	B2013-1X

Body Code Numbering



RS Entrance

Catalog numbers are for copper, single conductor cable and include unassembled units with cemented porcelain and base gasket only. Required connector, entrance(s), aerial lugs, compound or stress cone kits are ordered separately. Optional connector styles, entrance fittings and ground lugs are available.

Aluminum conductor cables require compression style connectors.

Note: For aluminum cable over 250 kcmil, use the next larger size termination for correct internal clearances.

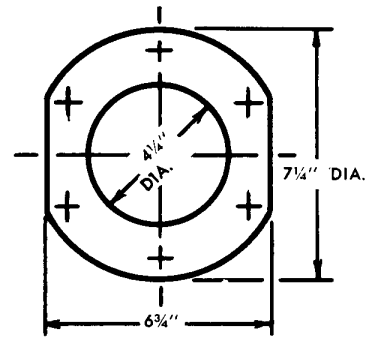
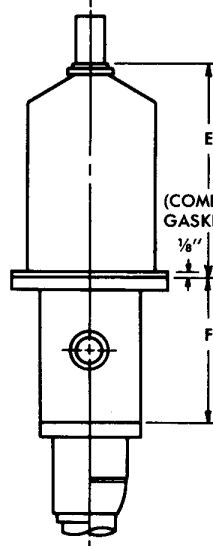
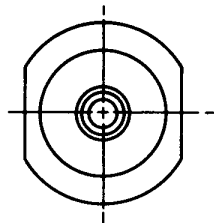


FIG. 1 (Size 5)
(6 BOLTS—1/2" DIA.—6 1/8" B.C.)

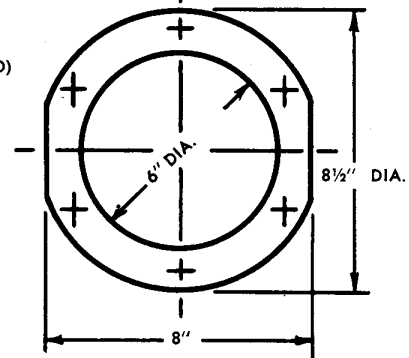


FIG. 2 (Size 6)
(6 BOLTS—1/2" DIA.—7 1/4" B.C.)

FOR EQUIPMENT APPLICATIONS

Max. Cond. Size AWG/ KCM	Max. Cable OD Ins. (mm)	Catalog No.	Approx. Compd. Req'd Gal. (L)	Approx. Shpg. Wt. lbs. (Kg)	Hoodnut Connector Assembly	Approximate Dimensions — ins. (mm)			Body Porcelain Assembly*			
						E	F	Fig.	Assembly No.	Porcelain	Flange Gasket Part No.	Body†

15 kV (110 kV BIL)

1/0	53	2 7/8 (73)	UTR17045	3/8 (1)	26 (12)	AT20	8 (203)	5 1/2 (140)	1	A6301- 9	EF	A1093- 5	4E5MF
250	127	2 7/8 (73)	UTR17245	3/8 (1)	27 (12)	AT22	8 1/8 (206)	5 1/2 (140)	1	A6301- 9	EF	A1093- 5	4E5MF
500	253	2 7/8 (73)	UTR17546	3/8 (2)	27 (12)	AT35	7 3/4 (197)	5 1/2 (140)	2	A6301-15	FE	A1602-3B	4F6MX
750	380	2 7/8 (73)	TR17746	3/8 (2)	29 (13)	AT37	7 7/8 (200)	5 1/2 (140)	2	A6301-15	FE	A1602-3B	4F6MX
1000	507	2 7/8 (73)	TR17846	3/8 (2)	35 (16)	AT38	7 7/8 (200)	5 1/2 (140)	2	A6301-15	FE	A1602-3B	4F6MX
1500	760	3 7/8 (98)	TR17956	1 (4)	45 (20)	AT49	7 9/8 (200)	6 1/2 (165)	2	A6301-17	GB	A1602-3B	5G6MX
2000	1013	3 7/8 (98)	TR17X56	1 (4)	49 (22)	AT4X	7 7/8 (200)	6 1/2 (165)	2	A6301-17	GB	A1602-3B	5G6MX

25 kV (150 kV BIL)

1/0	53	2 7/8 (73)	TR18045	1/2 (2)	31 (14)	AT20	10 5/8 (270)	5 1/2 (140)	1	A6301-10	EL	A1093- 5	4E5MF
250	127	2 7/8 (73)	UTR18246	3/8 (2)	31 (14)	AT32	10 3/4 (273)	5 1/2 (140)	2	A6301-16	FG	A1602-3B	4F6MX
500	253	2 7/8 (73)	TR18546	3/8 (2)	33 (15)	AT35	10 3/4 (273)	5 1/2 (140)	2	A6301-16	FG	A1602-3B	4F6MX
750	380	2 7/8 (73)	TR18746	3/8 (2)	36 (16)	AT37	10 7/8 (276)	5 1/2 (140)	2	A6301-16	FG	A1602-3B	4F6MX
1000	507	2 7/8 (73)	TR18846	3/8 (2)	41 (19)	AT38	10 7/8 (276)	5 1/2 (140)	2	A6301-16	FG	A1602-3B	4F6MX
1500	760	3 7/8 (98)	TR18956	1 (4)	49 (22)	AT49	10 7/8 (276)	6 1/2 (165)	2	A6301-18	GD	A1602-3B	5G6MX
2000	1013	3 7/8 (98)	TR18X56	1 (4)	55 (25)	AT4X	10 7/8 (276)	6 1/2 (165)	2	A6301-18	GD	A1602-3B	5G6MX

34.5 kV (200 kV BIL)

250	127	3 7/8 (98)	TR19256	1 1/4 (5)	47 (21)	AT32	17 1/4 (438)	6 1/2 (165)	2	A6301-19	GF	A1602-3B	5G6MX
500	253	3 7/8 (98)	TR19556	1 1/4 (5)	48 (22)	AT35	17 1/4 (438)	6 1/2 (165)	2	A6301-19	GF	A1602-3B	5G6MX

* For porcelain dimensions refer to page 20.

† Base size required for selection of cable entrance fittings. Refer to body ID chart on this page. Body material subject to availability.