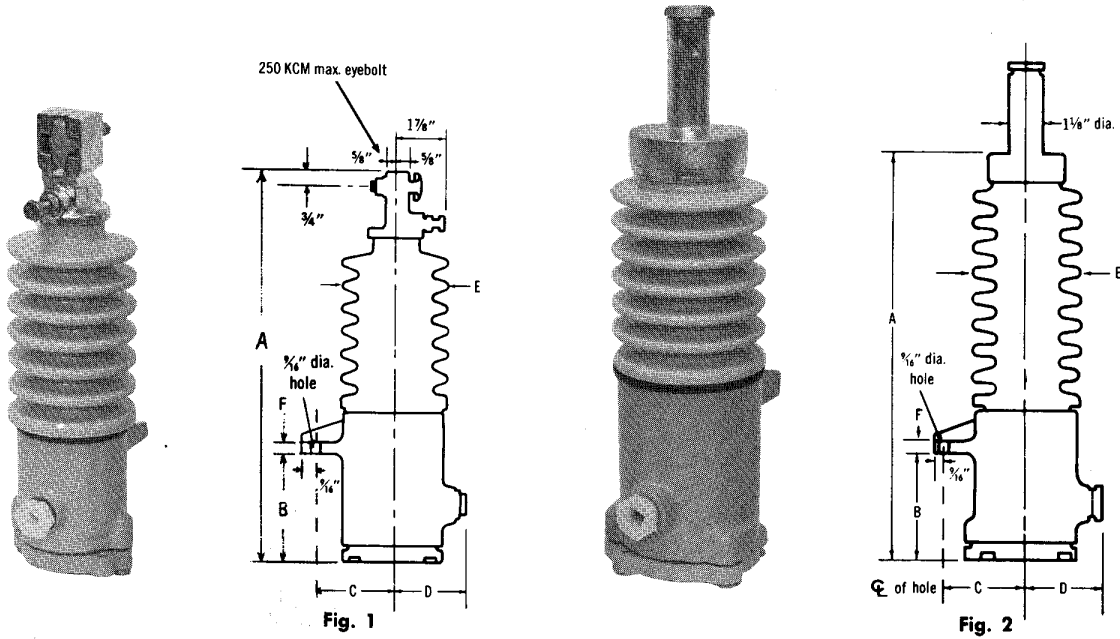


# 1/2" Bracket Mounted



Catalog number includes prefilled terminator and compression connector. Compression connector catalog number must be specified separately (see page 9). Aluminum connectors are supplied for all size aluminum conductors and for copper conductors through 250 KCM as standard. Adapter kits, aerial lugs, and brackets must be ordered separately if required.

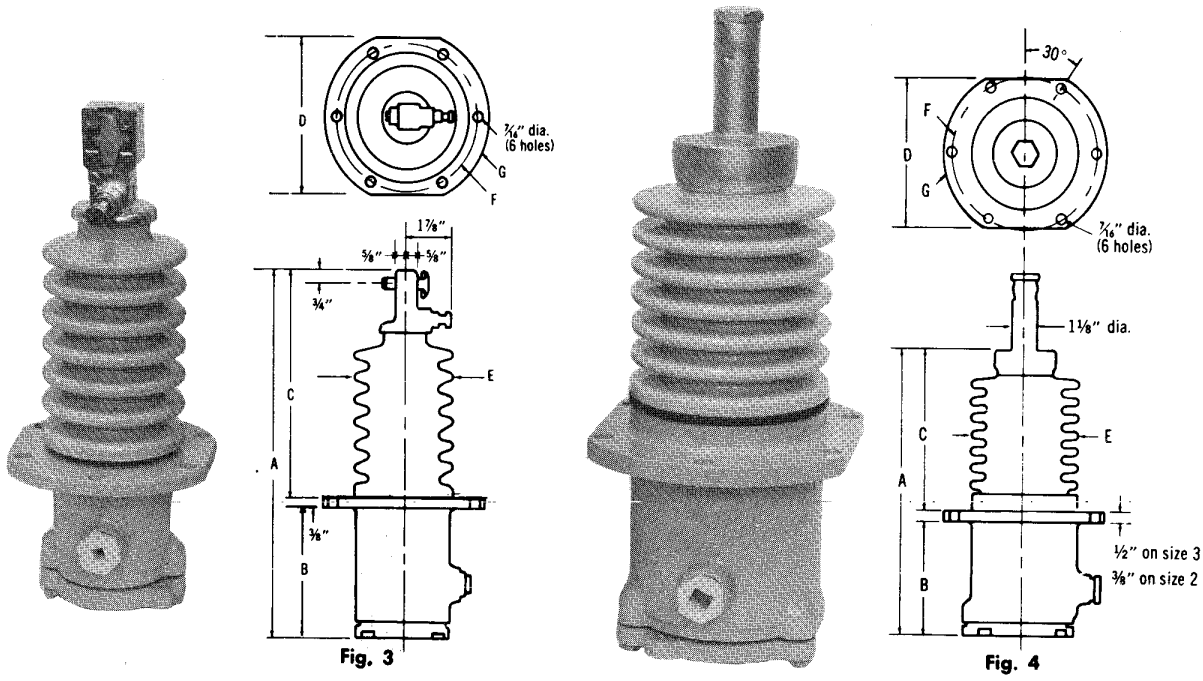
Catalog No.	Size	Fig.	Dimensions — Ins. (mm)						
			A max.	B	C	D	E	F	G
PAT 1701	1	1	12 1/4 (311)	2 5/8 (67)	2 15/32 (63)	2 3/8 (60)	3 1/2 (89)	5/16 (8)	—
PAT 1772	2	2	12 1/8 (306)	3 7/8 (98)	2 15/16 (75)	2 7/8 (73)	4 1/8 (105)	7/16 (11)	—
PAT 1773	3	4	12 7/8 (327)	5 1/8 (130)	7 1/4 (184)	6 1/2 (165)	5 (127)	6 5/8 (168)	7 1/2 (191)
PAT 1801	1	1	16 (406)	2 5/8 (67)	2 15/32 (63)	2 5/8 (60)	3 1/2 (89)	5/16 (8)	—
PAT 1802	2	1	17 1/8 (433)	3 7/8 (98)	2 15/16 (75)	3 3/8 (79)	4 1/8 (105)	7/16 (11)	—
PAT 1872	2	2	15 1/4 (387)	3 7/8 (98)	2 15/16 (75)	2 7/8 (73)	4 1/8 (105)	7/16 (11)	—
PAT 1873	3	4	16 1/8 (408)	5 1/8 (130)	10 7/16 (265)	6 1/2 (165)	5 (127)	6 5/8 (168)	7 1/2 (191)
PAT 1972	2	2	20 1/8 (511)	3 7/8 (98)	2 15/16 (75)	2 7/8 (73)	4 5/8 (117)	7/16 (11)	—
PAT 1973	3	4	21 (533)	5 1/8 (130)	15 5/8 (391)	6 1/2 (165)	5 3/4 (146)	6 5/8 (168)	7 1/2 (191)
PAT 1073	3	4	27 (686)	5 1/8 (130)	21 3/8 (543)	6 1/2 (165)	5 3/4 (146)	6 5/8 (168)	7 1/2 (191)

Voltage (KV)	BIL (KV)	Catalog No.	Conductor Size (Max) AWG or KCM				Semi-con O.D.* Ins. (mm max.)	Creepage Ins. (mm)	Strike Ins. (mm)	Wt. lbs. (kg)
			Copper mm <sup>2</sup>	mm <sup>2</sup>	Aluminum mm <sup>2</sup>	mm <sup>2</sup>				
15	110	PAT 1701	2/0	67	2/0	67	5/8 — 1 (25.4)	12 1/8 (308)	6 (152)	6 (2.7)
		PAT 1701	250	127	250	127	5/8 — 1 (25.4)	12 1/8 (308)	6 (152)	6 (2.7)
		PAT 1772	500	253	500	253	1 — 1 5/8 (41.3)	12 1/8 (308)	5 3/4 (146)	12 1/2 (5.7)
		PAT 1772	750	380	500	253	1 — 1 5/8 (41.3)	12 1/8 (308)	5 3/4 (146)	12 1/2 (5.7)
		PAT 1773	1000	507	1000	507	1 5/16 — 2 3/16 (55.5)	13 1/4 (336)	6 (152)	14 (6.4)
		PAT 1773	1500	760	1250	633	1 5/16 — 2 3/16 (55.5)	13 1/4 (336)	6 (152)	14 (6.4)
25	150	PAT 1801	250	67	250	67	5/8 — 1 (25.4)	19 1/2 (495)	10 1/8 (257)	8 1/2 (3.9)
		PAT 1802	250	127	250	127	3/4 — 1 1/4 (31.7)	20 (508)	9 5/8 (244)	13 (5.9)
		PAT 1872	500	253	500	253	1 — 1 5/8 (41.3)	20 (508)	9 5/8 (244)	15 (6.8)
		PAT 1872	750	380	500	253	1 — 1 5/8 (41.3)	20 (508)	9 5/8 (244)	15 (6.8)
		PAT 1873	1000	507	1000	507	1 5/16 — 2 3/16 (55.5)	20 (508)	9 (229)	20 (9.1)
		PAT 1873	1500	760	1250	633	1 5/16 — 2 3/16 (55.5)	20 (508)	9 (229)	20 (9.1)
34.5	200	PAT 1972	500	253	500	253	1 — 1 5/8 (41.3)	31 1/4 (794)	13 3/8 (346)	20 (9.1)
		PAT 1972	750	380	500	253	1 — 1 5/8 (41.3)	31 1/4 (794)	13 3/8 (346)	20 (9.1)
		PAT 1973	1000	507	1000	507	1 5/16 — 2 3/16 (55.5)	32 1/2 (825)	14 1/2 (368)	30 (13.6)
		PAT 1973	1500	760	1250	633	1 5/16 — 2 3/16 (55.5)	32 1/2 (825)	14 1/2 (368)	30 (13.6)
46	250	PAT 1073	1000	507	1000	507	1 5/16 — 2 3/16 (55.5)	46 (1168)	20 1/4 (514)	36 (16.3)
		PAT 1073	1500	760	1250	633	1 5/16 — 2 3/16 (55.5)	46 (1168)	20 1/4 (514)	36 (16.3)

Max. continuous current rating—same as cable.

\*O.D. of semi-con jacket over insulation is used for sizing. Exception: For PILC, use O.D. instead of lead.

# 1/2" Flange Mounted



Catalog number includes prefilled terminator, compression connector and 3/16" thick Buna-cork gasket. Compression connector catalog number must be specified separately (see page 9). Aluminum connectors are supplied for all size aluminum conductors and for copper conductors through 250 KCM as standard. Adapter kits, aerial lugs, and brackets must be ordered separately if required.

Catalog No.	Size	Fig.	Dimensions - ins. (mm)						
			A (max.)	B	C	D	E	F	G
PATR 1701	1	3	12 1/4 (311)	3 1/2 (89)	8 3/8 (213)	5 (127)	3 1/2 (89)	4 3/4 (121)	5 1/2 (140)
PATR 1772	2	4	12 1/16 (306)	4 3/8 (111)	7 9/16 (186)	6 (152)	4 1/8 (105)	5 7/8 (149)	6 7/8 (175)
PATR 1773	3	4	12 7/8 (327)	5 1/8 (130)	7 1/4 (184)	6 1/2 (165)	5 (127)	6 5/8 (168)	7 1/2 (191)
PATR 1801	1	3	16 (406)	3 1/2 (89)	12 3/8 (308)	5 (127)	3 1/2 (89)	4 3/4 (121)	5 1/2 (140)
PATR 1802	2	3	17 1/16 (433)	4 3/8 (111)	12 3/16 (329)	6 (152)	4 1/8 (105)	5 7/8 (149)	6 7/8 (175)
PATR 1872	2	4	15 1/4 (387)	4 3/8 (111)	10 1/2 (267)	6 (152)	4 1/8 (105)	5 7/8 (149)	6 7/8 (175)
PATR 1873	3	4	16 1/16 (408)	5 1/8 (130)	10 7/16 (265)	6 1/2 (165)	5 (127)	6 5/8 (168)	7 1/2 (191)
PATR 1972	2	4	20 1/8 (511)	4 3/8 (111)	15 3/8 (391)	6 (152)	4 3/8 (117)	5 7/8 (149)	6 7/8 (175)
PATR 1973	3	4	21 (533)	5 1/8 (130)	15 3/8 (391)	6 1/2 (165)	5 3/4 (146)	6 5/8 (168)	7 1/2 (191)
PATR 1073	3	4	27 (686)	5 1/8 (130)	21 3/8 (543)	6 1/2 (165)	5 3/4 (146)	6 5/8 (168)	7 1/2 (191)

Voltage (kV)	BIL (kV)	Catalog	Conductor Size (Max) AWG or KCM				Semi-con O.D.* ins. (mm max.)	Creepage Ins. (mm)	Strike Ins. (mm)	Wt. lbs. (kg)
			Copper	mm <sup>2</sup>	Aluminum	mm <sup>2</sup>				
15	110	PATR 1701	2/0	67	2/0	67	5/8 - 1 (25.4)	12 1/8 (308)	6 (152)	7 (3.2)
		PATR 1701	250	127	250	127	5/8 - 1 (25.4)	12 1/8 (308)	6 (152)	7 (3.2)
		PATR 1772	500	253	500	253	1 - 1 1/8 (41.3)	12 1/8 (308)	5 3/4 (146)	13 (5.9)
		PATR 1772	750	380	500	253	1 - 1 1/8 (41.3)	12 1/8 (308)	5 3/4 (146)	13 (5.9)
		PATR 1773	1000	507	1000	507	1 5/16 - 2 3/16 (55.5)	13 1/4 (336)	6 (152)	14 (6.4)
		PATR 1773	1500	760	1250	633	1 5/16 - 2 3/16 (55.5)	13 1/4 (336)	6 (152)	14 (6.4)
25	150	PATR 1801	250	127	250	127	5/8 - 1 (25.4)	19 1/2 (495)	10 1/8 (257)	10 (4.5)
		PATR 1802	250	127	250	127	3/4 - 1 1/4 (31.7)	20 (508)	9 5/8 (244)	14 (6.4)
		PATR 1872	500	253	500	253	1 - 1 1/8 (41.3)	20 (508)	9 5/8 (244)	16 (7.3)
		PATR 1872	750	380	500	253	1 - 1 1/8 (41.3)	20 (508)	9 5/8 (244)	16 (7.3)
		PATR 1873	1000	507	1000	507	1 5/16 - 2 3/16 (55.5)	20 (508)	9 (229)	20 (9.1)
		PATR 1873	1500	760	1250	633	1 5/16 - 2 3/16 (55.5)	20 (508)	9 (229)	20 (9.1)
34.5	200	PATR 1972	500	253	500	253	1 - 1 1/8 (41.3)	31 1/4 (794)	13 3/8 (346)	21 (9.5)
		PATR 1972	750	380	500	253	1 - 1 1/8 (41.3)	31 1/4 (794)	13 3/8 (346)	21 (9.5)
		PATR 1973	1000	507	1000	507	1 5/16 - 2 3/16 (55.5)	32 1/2 (825)	14 1/2 (368)	30 (13.6)
		PATR 1973	1500	760	1250	633	1 5/16 - 2 3/16 (55.5)	32 1/2 (825)	14 1/2 (368)	30 (13.6)
46	250	PATR 1073	1000	507	1000	507	1 5/16 - 2 3/16 (55.5)	46 (1168)	20 1/4 (514)	36 (16.3)
		PATR 1073	1500	760	1250	633	1 5/16 - 2 3/16 (55.5)	46 (1168)	20 1/4 (514)	36 (16.3)

Max. continuous current rating—same as cable.

\*O.D. of semi-con jacket over insulation is used for sizing. Exception: For PILC, use O.D. instead of lead.