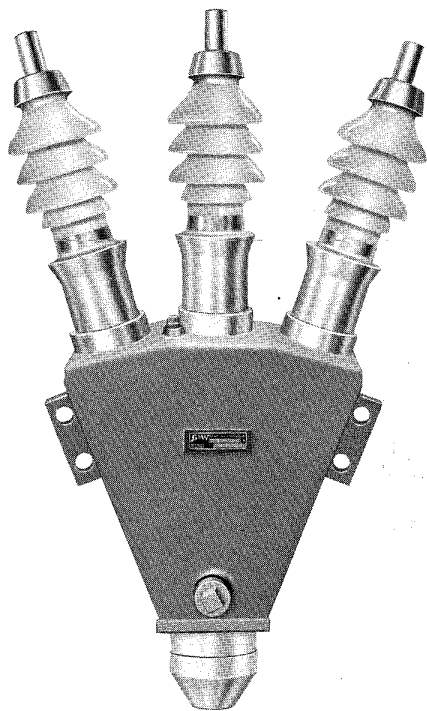


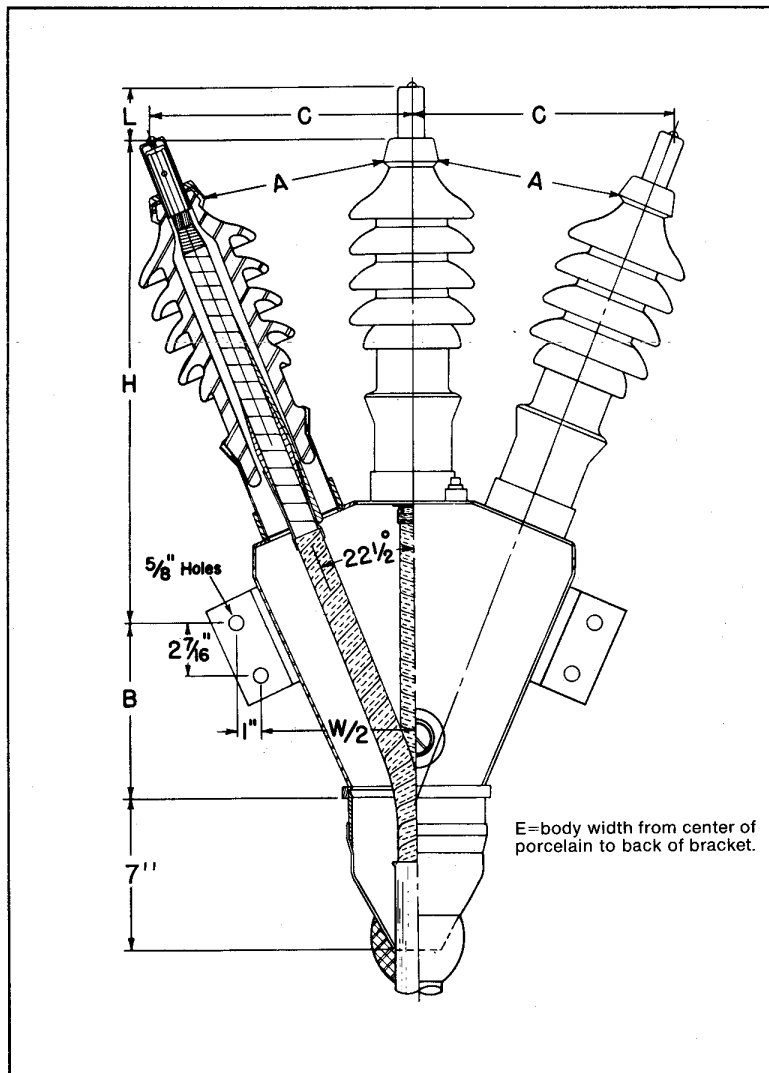
B/C Bracket Mounted



Catalog numbers are for copper, three conductor cable and include diverging porcelain, wiping sleeve entrance fitting and internal solder style connector. Required stress cone kits, insulating compound and aerial lugs are ordered separately. Optional connector styles, stuffing box (RS) entrance fittings and ground lugs are available.

Aluminum conductor cables require compression style connectors.

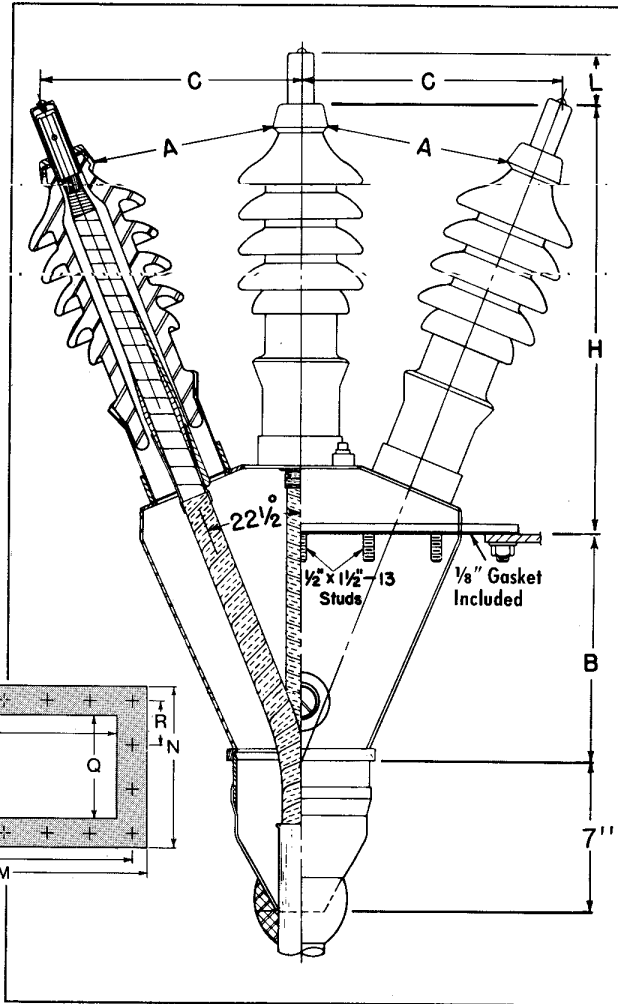
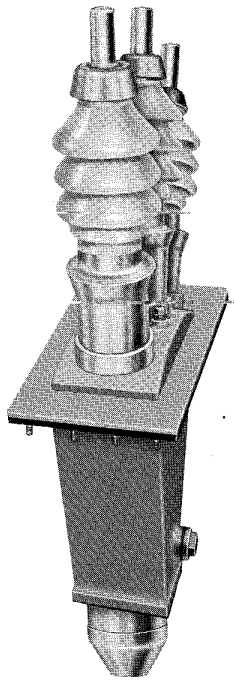
Note: For aluminum cable over 250 kcmil, use the next larger size termination for correct internal clearances.



Style 'ST'—For Compound, Oil or Gas Filling*

Max. Cond'r Size KCM	mm ²	Catalog No.	Dimensions—Inches (mm)								Approx. Shp'g. Wt. Lb (Kg)	Approx. Comp'd. Req'd. Gal. (L)
			Bore	W	E	B	H	L	A	C		
15kV (110kV BIL)												
250	127	ST372E4B	2 (51)	12-7/8 (327)	3-3/4 (95)	7-1/2 (191)	20-7/8 (530)	1-3/4 (44)	8-1/8 (206)	11-1/2 (292)	140 (64)	3-1/2 (13)
500	253	ST375F5B	2-1/2 (64)	14-5/8 (371)	4-1/2 (114)	7-1/2 (191)	21 (533)	2-3/16 (56)	7-5/8 (194)	11-3/4 (298)	180 (82)	5 (19)
750	380	ST377F5B	2-1/2 (64)	14-5/8 (371)	4-1/2 (114)	7-1/2 (191)	21 (533)	2-9/16 (65)	7-5/8 (194)	11-7/8 (302)	200 (91)	5 (19)
1000	506	ST377G6B	3 (76)	17-1/2 (445)	4-1/2 (114)	11 (279)	21-3/4 (552)	2-9/16 (65)	8-1/2 (216)	13-1/2 (343)	240 (108)	7-1/2 (28)
25kV (150kV BIL)												
250	127	ST382E4B	2 (51)	12-7/8 (327)	3-3/4 (95)	7-1/2 (191)	23-7/8 (606)	1-3/4 (44)	9-1/4 (235)	12-3/4 (324)	153 (69)	4 (15)
500	253	ST385F5B	2-1/2 (64)	14-5/8 (371)	4-1/2 (114)	7-1/2 (191)	24 (610)	2-3/16 (56)	9-3/8 (238)	12-7/8 (327)	210 (95)	5-1/2 (21)
25kV (150kV BIL)												
1/0	53	ST382E6B	2 (51)	17-1/2 (445)	4-1/2 (114)	11 (279)	24-7/8 (632)	1-3/4 (44)	11 (279)	14-3/8 (365)	200 (91)	7 (27)
350	177	ST385F6B	2-1/2 (64)	17-1/2 (445)	4-1/2 (114)	11 (279)	25 (635)	2-3/16 (56)	11 (279)	14-3/8 (365)	225 (102)	7 (27)
500	253	ST385G6B	3 (76)	17-1/2 (445)	4-1/2 (114)	11 (279)	27 (686)	2-3/16 (56)	11 (279)	15-3/4 (400)	250 (114)	8-1/2 (32)
750	380	ST387G6B	3 (76)	17-1/2 (445)	4-1/2 (114)	11 (279)	27-1/2 (699)	2-9/16 (65)	11 (279)	15-7/8 (403)	270 (123)	8-1/2 (32)
34.5kV (200kV BIL)												
500	253	ST395G6B	3 (76)	17-1/2 (445)	4-1/2 (114)	11 (279)	33-1/2 (851)	2-3/16 (56)	14 (356)	18 (457)	260 (118)	8-1/2 (32)

*For gas filled terminations, use 46kV rating for 34.5kV operation.

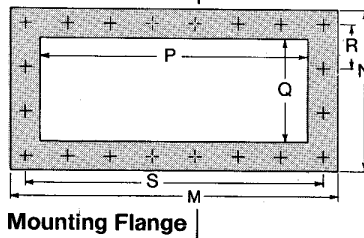


3/C Flange Mounted

Catalog numbers are for copper, three conductor cable and include diverging porcelain, wiping sleeve entrance fitting and internal solder style connector. Required stress cone kits, insulating compound and aerial lugs are ordered separately. Optional connector styles, stuffing box (RS) entrance fittings and ground lugs are available. The terminations are applicable in oil and air insulated compartments.

Aluminum conductor cables require compression style connectors.

Note: For aluminum cable over 250 kcmil, use the next larger size termination for correct internal clearances.



Style 'RST'—For Compound, Oil or Gas Filling*

Max. Cond'r. Size		Catalog No.	Dimensions—Inches (mm)						Approx. Shp'g. Wt. Lb (Kg)	Approx. Comp'd. Req'd. Gal (L)
KCM	mm ²		Bore	B	H	L	A	C		
15kV (110kV BIL)										
250	127	RST372E4B	2 (51)	10 (254)	18-3/8 (467)	1-3/4 (44)	8-1/8 (206)	11-1/2 (292)	150 (68)	3-1/2 (13)
500	253	RST375F5B	2-1/2 (64)	9-3/4 (248)	18-5/8 (473)	2-3/16 (56)	7-5/8 (194)	11-3/4 (298)	185 (84)	5 (19)
750	380	RST377F5B	2-1/2 (64)	9-3/4 (248)	18-5/8 (473)	2-9/16 (65)	7-5/8 (194)	11-7/8 (302)	205 (93)	5 (19)
1000	506	RST377G6B	3 (76)	13-3/8 (340)	19-1/4 (489)	2-9/16 (65)	8-1/2 (216)	13-1/2 (343)	220 (100)	7-1/2 (28)
25kV (150kV BIL)										
1/0	53	RST382E4B	2 (51)	10 (254)	21-3/8 (543)	1-3/4 (44)	9-1/4 (235)	12-3/4 (324)	160 (73)	4 (15)
350	177	RST385F5B	2-1/2 (64)	9-3/4 (248)	21-5/8 (549)	2-3/16 (56)	9-3/8 (238)	12-7/8 (327)	215 (98)	5-1/2 (21)
500	253	RST385G6B	3 (76)	13-3/8 (340)	22-1/4 (565)	2-3/16 (56)	9-3/4 (248)	14-3/8 (365)	260 (118)	7-1/2 (28)
750	380	RST387G6B	3 (76)	13-3/8 (340)	22-1/4 (565)	2-9/16 (65)	9-3/4 (248)	14-3/8 (365)	280 (127)	7-1/2 (28)
34.5kV (200kV BIL)										
500	253	RST395G6B	3 (76)	13-3/8 (340)	25-1/4 (641)	2-3/16 (56)	11-1/2 (292)	15-5/8 (397)	270 (123)	7-1/2 (28)
Flange Size Code †	Dimensions—Inches (mm)						Total Number of Studs			
	M	N	P	Q	R	S				
4B	19-1/2 (495)	10-1/2 (267)	16-1/2 (419)	7-1/2 (191)	3 (76)	7 studs on 3" (76) centers	18			
5B	21 (533)	12 (305)	18 (457)	9 (229)	3-1/2 (89)	7 studs on 3 1/4" (83) centers	18			
6B	24-1/2 (622)	12 (305)	21-1/4 (540)	9 (229)	3-1/2 (89)	8 studs on 3 1/4" (83) centers	20			

† Flange code appears as last digits in termination catalog number.

* For gas filled terminations, use 46kV rating for 34.5kV operation.